

Tizian 170

168×104×72 cm
250 l

AQUATOR

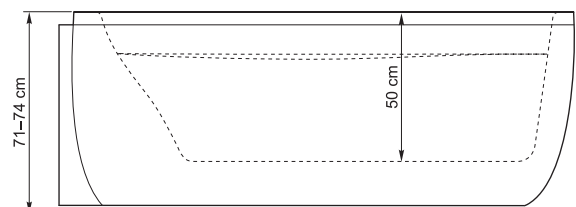
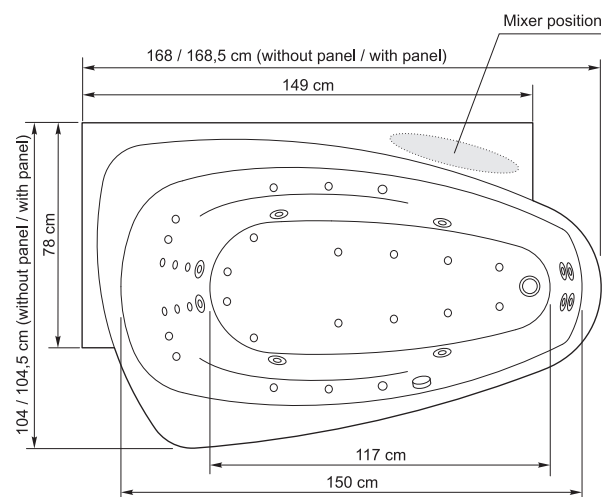
DESIGN BY AQUATOR 2008



Tizian 170 belongs to Aquator's "Sea Stone" collection and exhibits an elegant symbiosis of geometry and plastic.

FEATURES

- Massage with the same amount of power as a therapeutic tub, which is based on the experience obtained from development, production and extensive use in medical institutions.
- Extremely comfortable position + armrests.
- Special pillow ensures the neck muscles are relaxed in every position.
- Spine protected from strong, direct hydro-massage.
- Aquator Touch-screen. Unique driving system, which makes using the various massage baths more comprehensive, precise and delicate. Extremely comfortable to use.
- Price includes all possible massage components (back, side, hand and foot massage). There are 26 hydro-jets and 12 air-jets in total.
- Only top quality components and materials are used in production (Koller - Austria, Lucite - Great Britain, Röhm-Degussa - Germany).
- DME Award 2007 (Design Management Europe Award 2007).





left

right

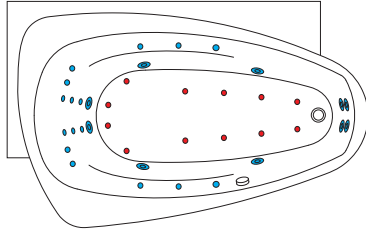
Tizian 170

COMBI POWER 6777/6787

Pneumatic control system

Side massage
Back massage
Arm massage
Hand massage
Foot massage
Air massage
Bath

Pump 2
Power (kW) 3,0
Micro-jets 16
Midi-jets 10
Air-jets 12

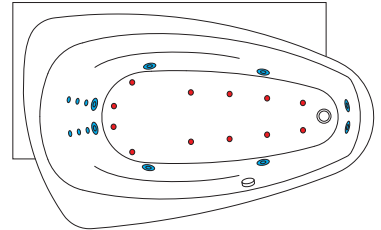


COMBI 6776/6786

Pneumatic control system

Side massage
Back massage
Foot massage
Air massage
Bath

Pump 1
Power (kW) 2,3
Micro-jets 6
Midi-jets 8
Air-jets 12

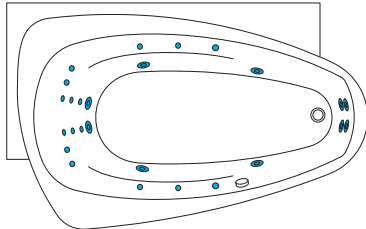


HYDRO POWER 4777/4787

Pneumatic control system

Side massage
Back massage
Arm massage
Hand massage
Foot massage
Bath

Pump 2
Power (kW) 2,2
Micro-jets 16
Midi-jets 10
Air-jets -

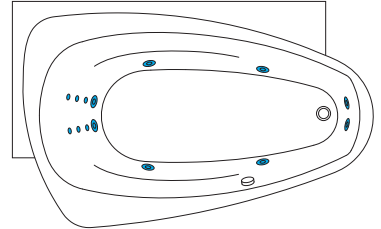


HYDRO 4776/4786

Pneumatic control system

Side massage
Back massage
Foot massage
Bath

Pump 1
Power (kW) 1,5
Micro-jets 6
Midi-jets 8
Air-jets -

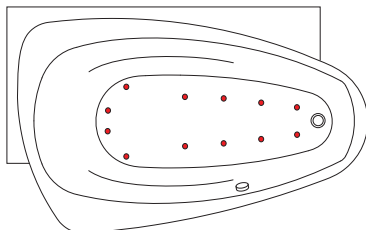


AERO 3776/3786

Pneumatic control system

Air massage
Bath

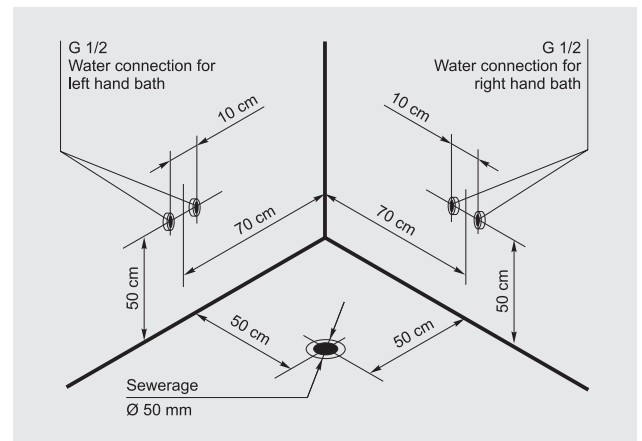
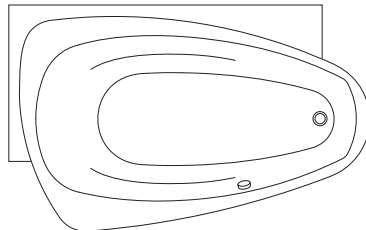
Pump -
Power (kW) 0,8
Micro-jets -
Midi-jets -
Air-jets 12



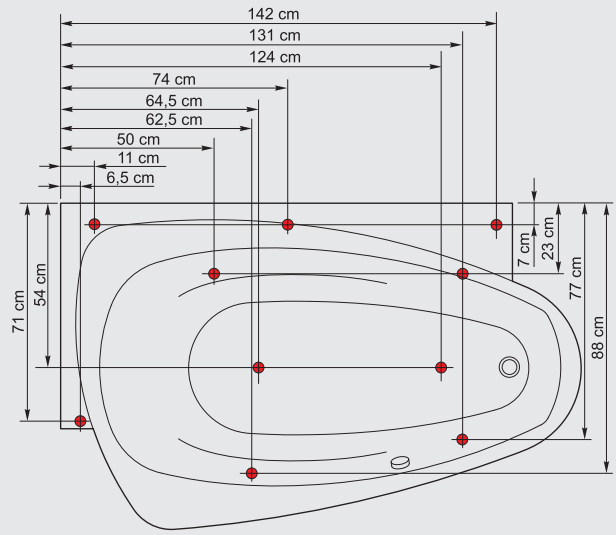
BATH 2776/2786

Bathtub
Frame
Siphon (drain and
overflow)

Pump -
Power (kW) -
Micro-jets -
Midi-jets -
Air-jets -



BATH LEGS POSITIONS



ADDITIONAL EQUIPMENT

- 0776/0786 Front panel
- 803 Control system "Aquator Touch-Screen"
- 802 Electronic switching
- 8202 Colour-light therapy with STOP function
- 8201 Colour-light therapy
- 820 Underwater light
- 808/8081 Water heater 1,5 kW / 3,0 kW
- 809 Air heater for blower 230 W
- 807 Air ozonator for blower
- 841/8412 Headrest "NEPTUN" black/white
- 843 Headrest "MARE"
- 856 Cascade Cristina
- 858 Bath filling via special overflow